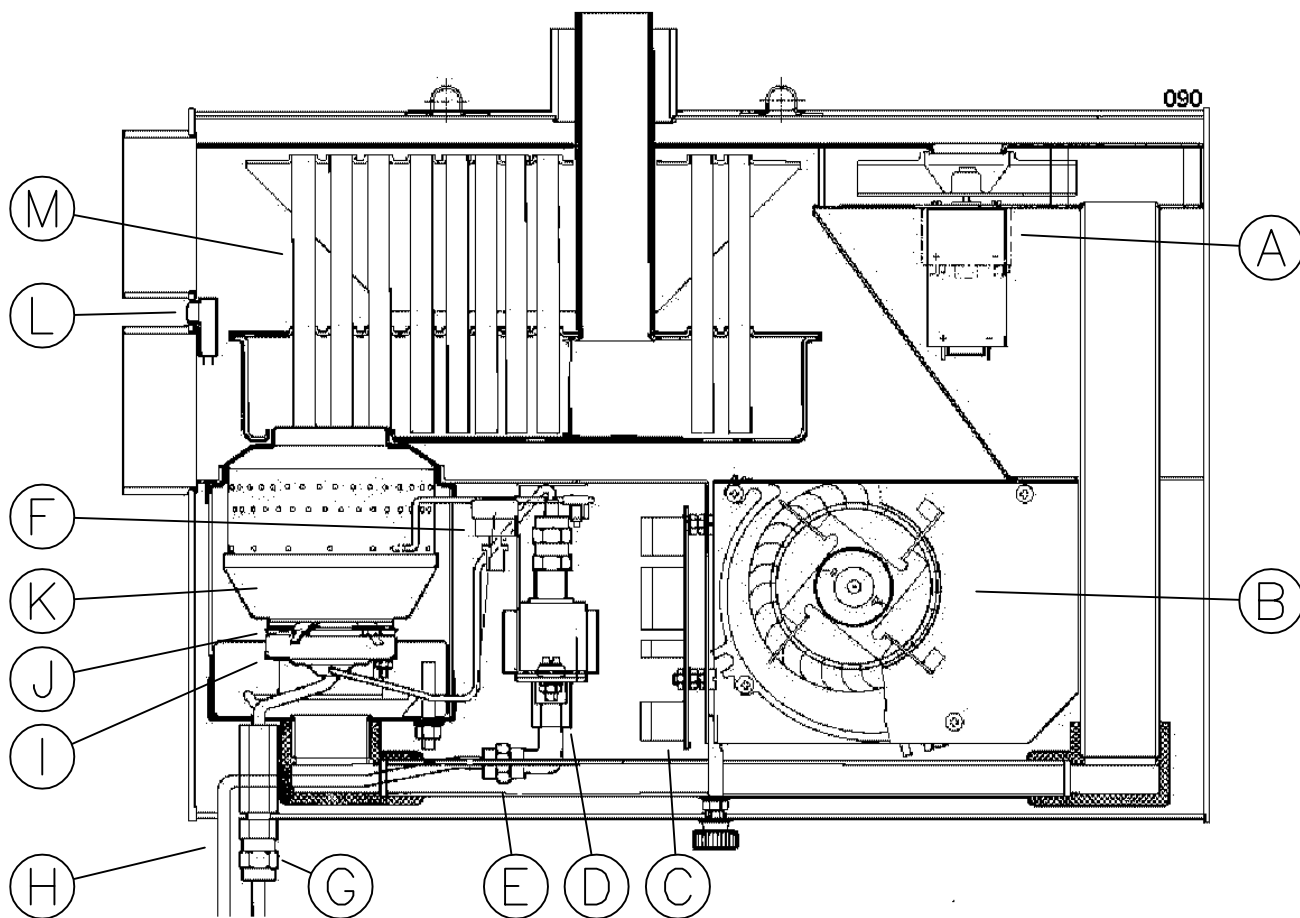
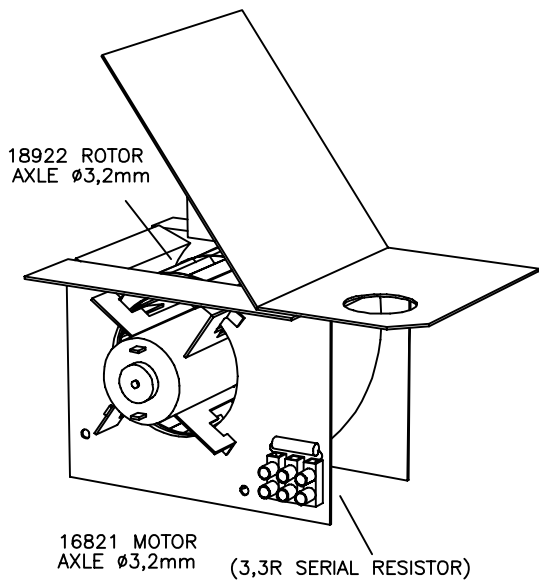


2400 HEATER

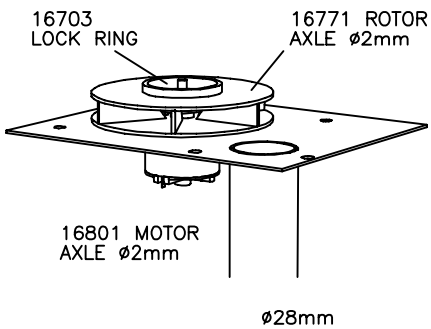


MAIN BLOWER
16846



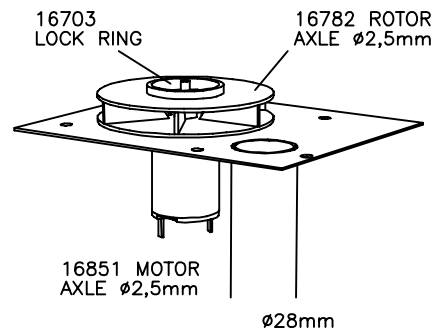
COMBUSTION BLOWER
16735

Ser. N:o -3634



COMBUSTION BLOWER
16745

Ser. N:o 3635-



Serial no	Part no		
FUEL SYSTEM			
	H	11010	Fuel suction tube, Polyamid, transparent ø 5/2
		11020	Fuel return tube, black ø 5/3
	G	999000	Fuel return tube 2m complete set
		10230	Shield spiral
		11121	Fuel tank fitting, plate, ring, gasket
		11122	Fuel tank fitting with tubes and suction filter
		11150	Suction filter, complete
		11160	Sinter bronze filter head
	E	10170	Olive ring ø 5
	E	740120	Holder bushing ø2x10x0,3
	G	740121	Holder bushing ø3x10x0,3
	E/G	10180	Connector nut ø 5
		10220	Shield spiral
		10160	Fuel fitting series
	D	601960	Fuel pump FC4
		19012	Inside parts of the pump, FC
BURNER			
-3633	I	16239	Wickpot, inc. 10170 and 10180
3634-	I	16240	Wickpot, inc. 10170 and 10180
		16410	Burner cylinder
	K	16310	Burner bottom
	J	16510	Glow primer with gaskets
		16530	Service set =16510 +16520
MAIN BLOWER			
	B	16846	Main blower, complete inc. wires
		16821	Motor, axle 3,2 mm
		18922	Rotor, axle ø 3,2 mm
COMBUSTION BLOWER			
-3634		16735	Motor & rotor on mounting plate
3635 -		16745	Motor & rotor on mounting plate (board X)
-3634		16801	Motor, axle 2 mm
3635 -		16851	Motor (Dunker), axle 2,5 mm (board X)
-3634		16771	Rotor, axle ø 2mm
3635 -		16782	Rotor, axle ø 2,5mm
		16703	Lock washer
CONSTRUCTION ELEMENTS & PARTS			
	M	17420	Heat exchanger
		2403	Mounting plate with bolts
		731176	Mounting plate bolt M8x120
ELECTRONICS			
-3634	C	18081	Circuit board VII
3635 -		18091	Circuit board X
	F	18113	T1 Aftercooling thermostat / 80°C
	L	18310	T 3 Overheating thermostat / manual
		2402	Control box with 6 m cable
		18620	Control cable with connector (6m)
		18561	Toggle switch
		18602	Printed circuit complete for control box
		18701	R 1 Glow relay
WIRE SETS			
		180661	Wire set for glow plug 18/24/32
		180780	Overheating thermostate, complete